

# PERI



# PERIMETER

PERI, the smallest integral driver perimeter fixture, delivers up to 1000 lm/ft at 90+ CRI, and offers multiple optical and glare reduction options. Ideal for shallow plenum spaces, it's compatible with multiple ceiling types, and its modular assembly allows the housing to be installed early with the light module snapped in after finishing work is complete.

### LIGHT ENGINE

- 90+ CRI
- Up To 1000+ Lumens Per Foot
- Static White High Efficacy, Static White Constant Current, Tunable White High Efficacy
- 1.5W/ft - 12.0W/ft
- 2000K - 5500K CCT

### OPTICS

- Asymmetric
- Lambertian (No Optics)

### LENS

- Polar
- Diffused
- Prismatic

### OPTIONAL LOUVER

- White
- Black
- Grey

### HOUSING

- Satin Finish
- 2.5" Wide X 2.0" Tall
- 12" Min Length
- 98" length per run. Inline brackets allow for continuous runs

### DRIVER POSITIONS

- Top Mounted: Constant Voltage or Constant Current Driver
- Side Mounted: Constant Current or Emergency Driver
- Remote: Constant Voltage, Constant Current Driver, or Constant Current Emergency Driver

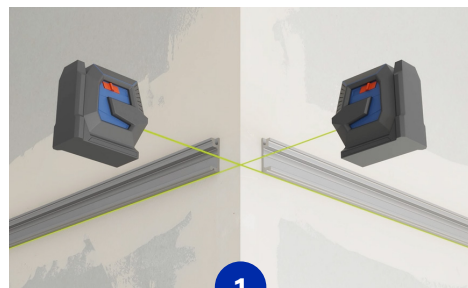
### SHIELDING

- T-Bar, T-Slot, Mud-In
- Positions: Flush, 1.5" or 3.0"
- White, Black or Grey



# EASY INSTALL

**PERI** has been designed to streamline delivery of components to the job site and to reduce labor needed for installation. Its modular assembly allows the housing to be installed early with the light module snapped in after finishing work is complete.



1 Install the mounting bracket along a level line.



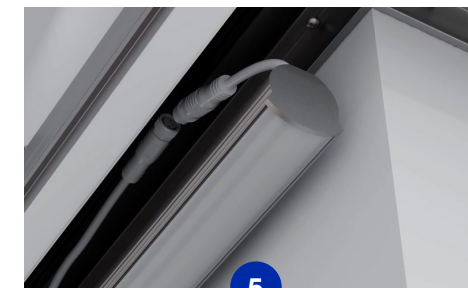
2 Hang the main housing on the mounting bracket's easy-drop slot. Main housing can be cut to size using an on-site chop saw to allow for a perfect fit. Use inline connectors to align additional runs of housing. Once main housing is roughed in, final light module measurements can be sent to the factory.



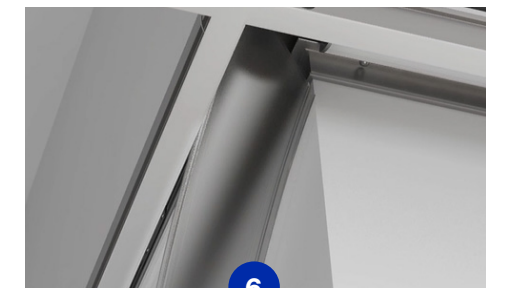
3 Driver mounting holes are located on the main housing every 26" to allow for optimal driver placement. Drop the driver into place and fasten to side of the main housing. Drivers can also be remote.



4 Connect the ceiling flange(s) to the fixture. The flanges also have inline connectors to ensure seamless installation.



5 Once finishing work is complete, connect the fixtures to the driver. Snap the light fixture into the main housing. Wire ways allow excess wire to be tucked into the fixture.



6 Install the snap-in lens and any louvers.

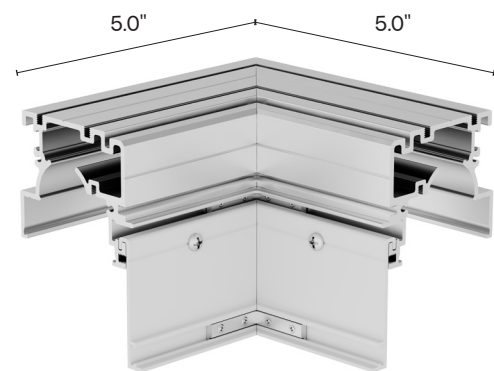
**PERI**

- Smaller, smarter, sleeker perimeter lighting fixture
- 2" tall and 2.48" wide main housing, perfect for shallow plenums
- Two mounting options for an integral power supply and several optional feed locations on main housing allows installers to avoid obstacles
- Modular assembly consists of pre-mounted bracket and snap in lighting fixture, allowing contractors to rough in the main housing without any concern with damaging the light source, and providing flexibility in the scheduling of installation
- UL924 Compliant - when used with CC/EM
- All housings are ATSM E283 Air Leakage Certified.
- All PERI products have Declare labels

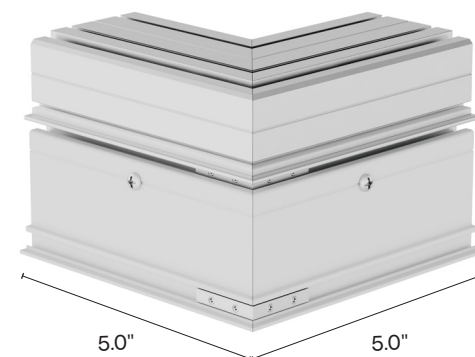


Red List Approved  
**Declare.**

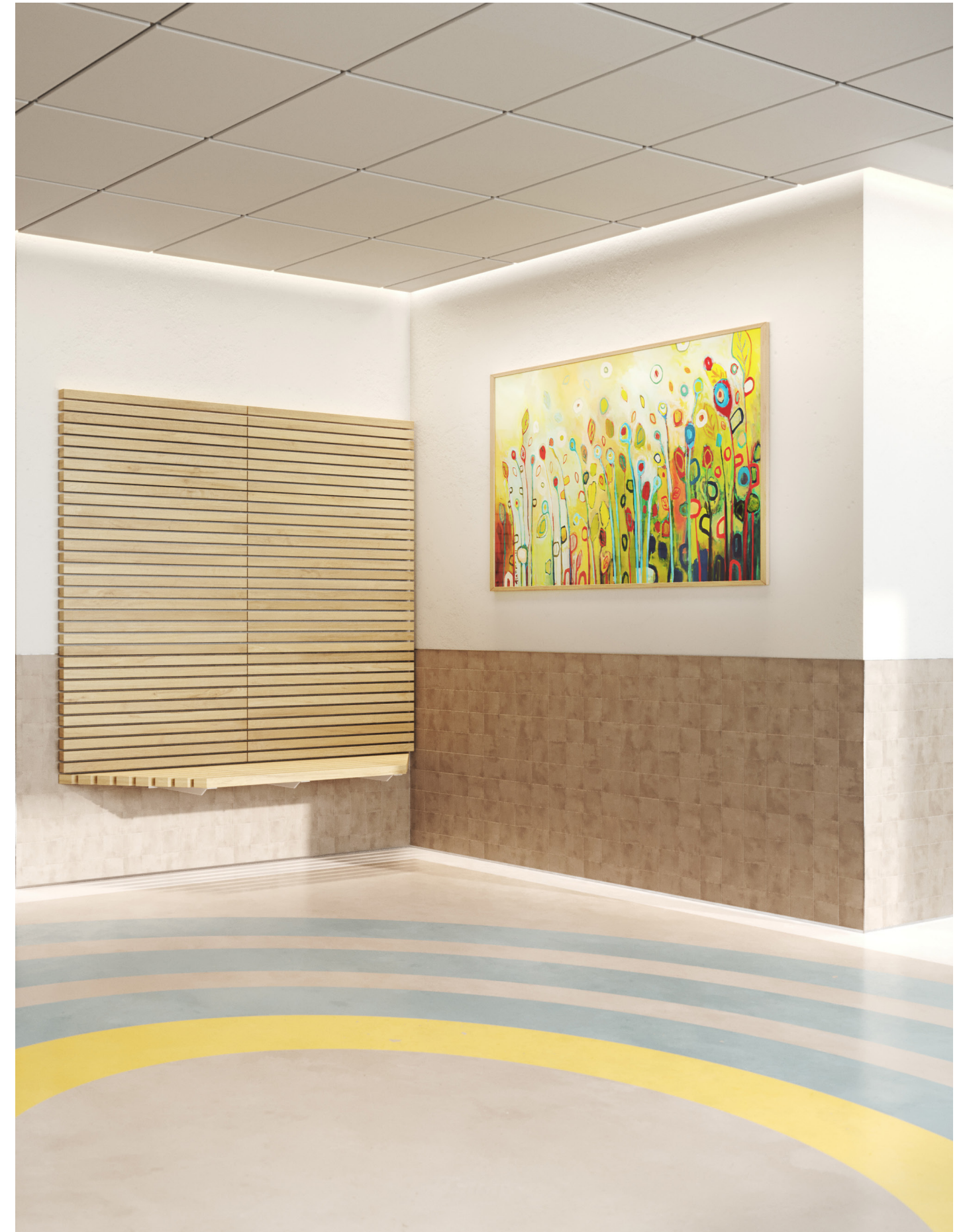
**PRE-ASSEMBLED CORNERS** (Sold separately)



**INSIDE CORNER**



**OUTSIDE CORNER**



Product shown: PERI with diffused lens in white louver



Product shown: PERI with diffused lens in white louver

## LENS OPTIONS

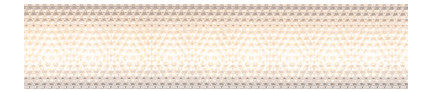
### DIODE VISIBILITY



POLAR

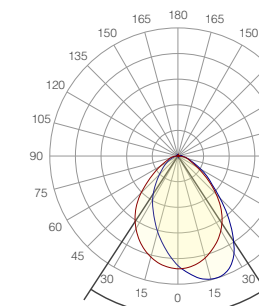


DIFFUSED



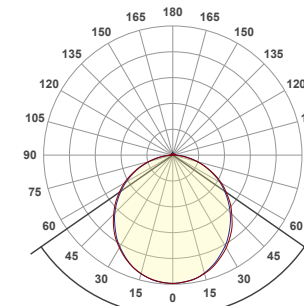
PRISMATIC

### OPTICS Optics with flush flanges being shown below



66.3°

ASYMMETRIC



110.3°

NO OPTICS  
(Lambertian)

### LOUVER



WHITE



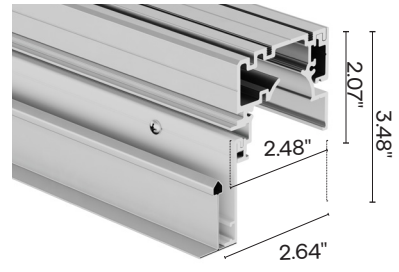
GREY



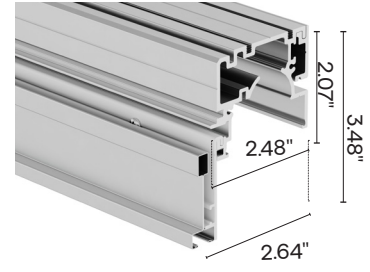
BLACK

## SHIELDING TYPE

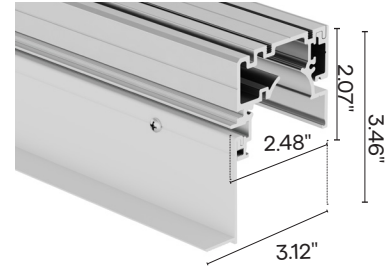
**T-BAR** (grid - 9/16" or 15/16")



**T-SLOT** (9/16" slot)

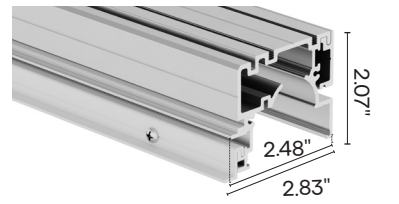


**MUD-IN** (remote driver only)

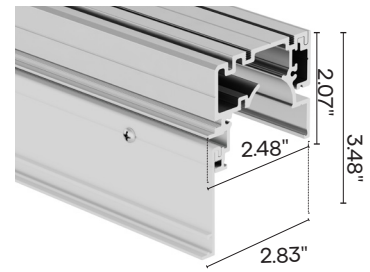


## SHIELDING POSITIONS

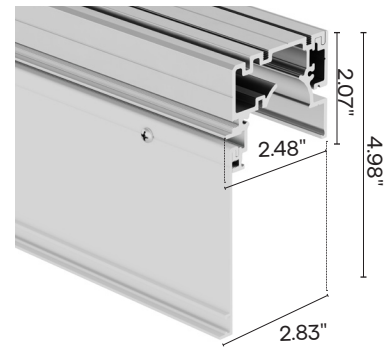
**FLUSH**



**1.5" Regress**

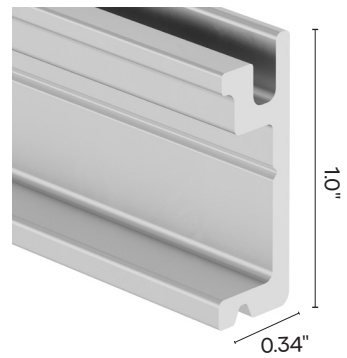


**3.0" Regress**

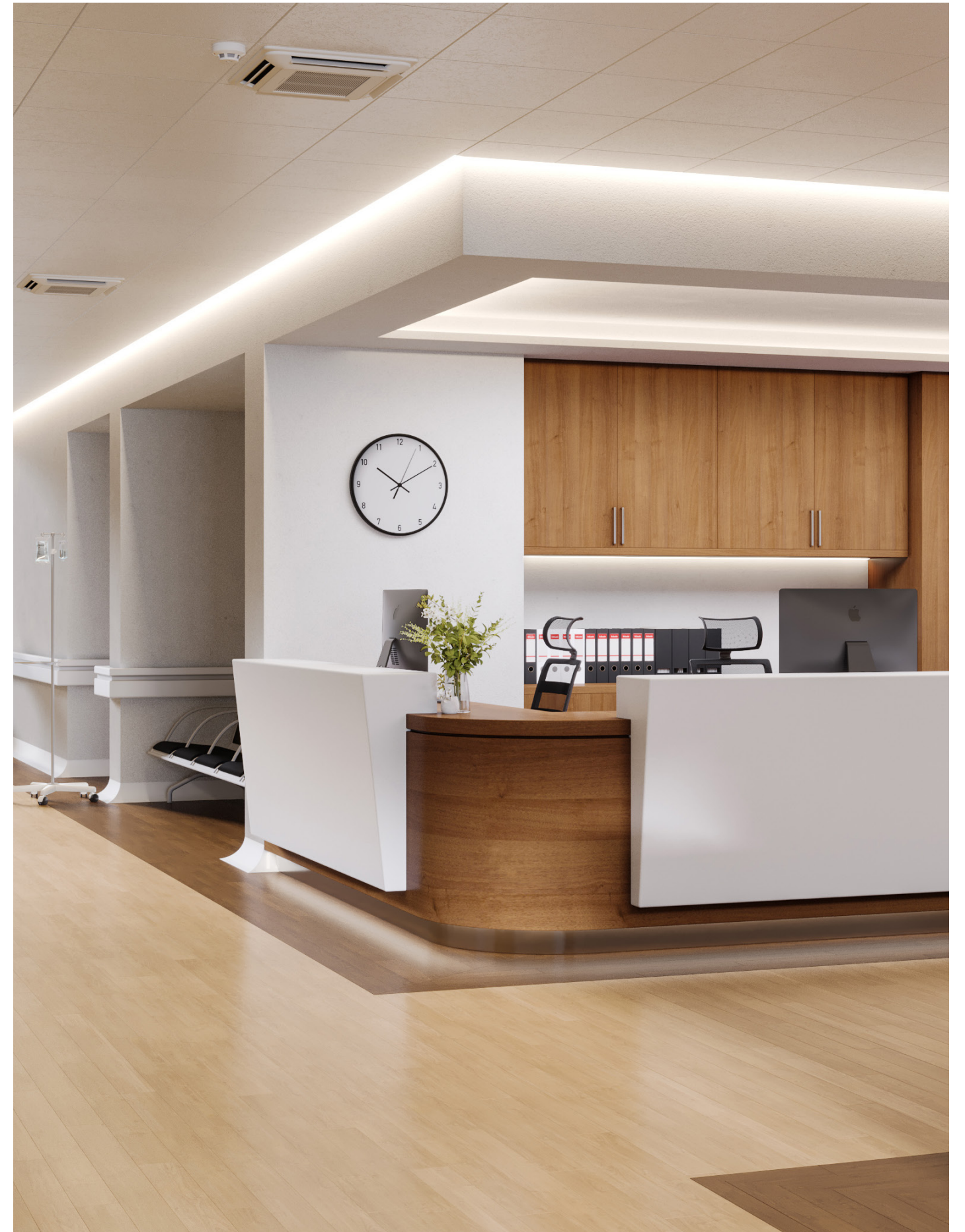
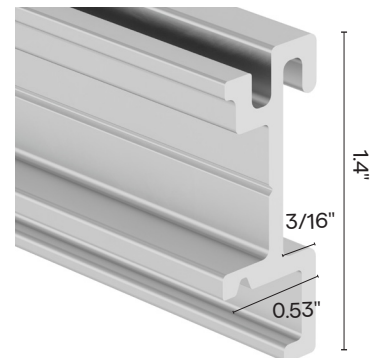


## WALL MOUNT

**NO STANDOFF**



**STANDOFF (3/16")**

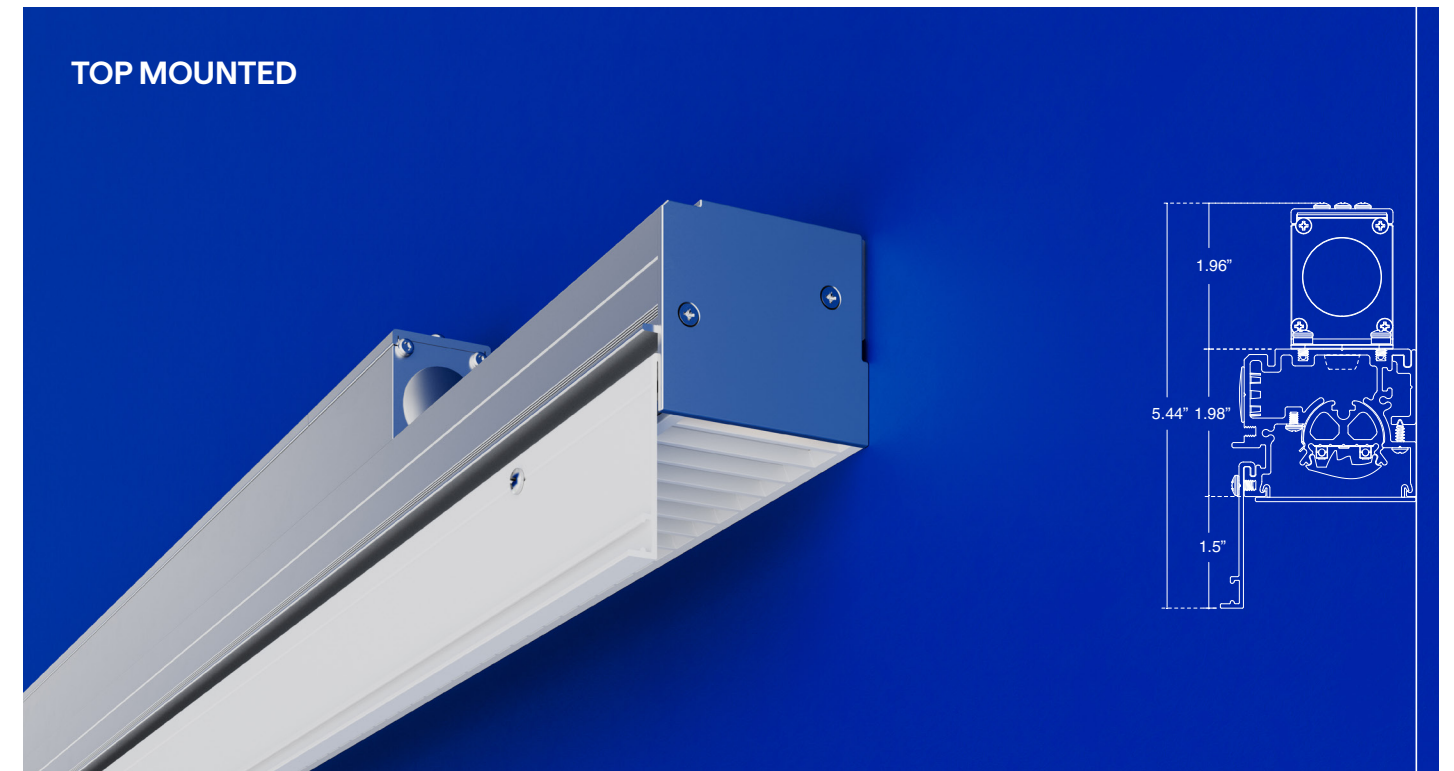
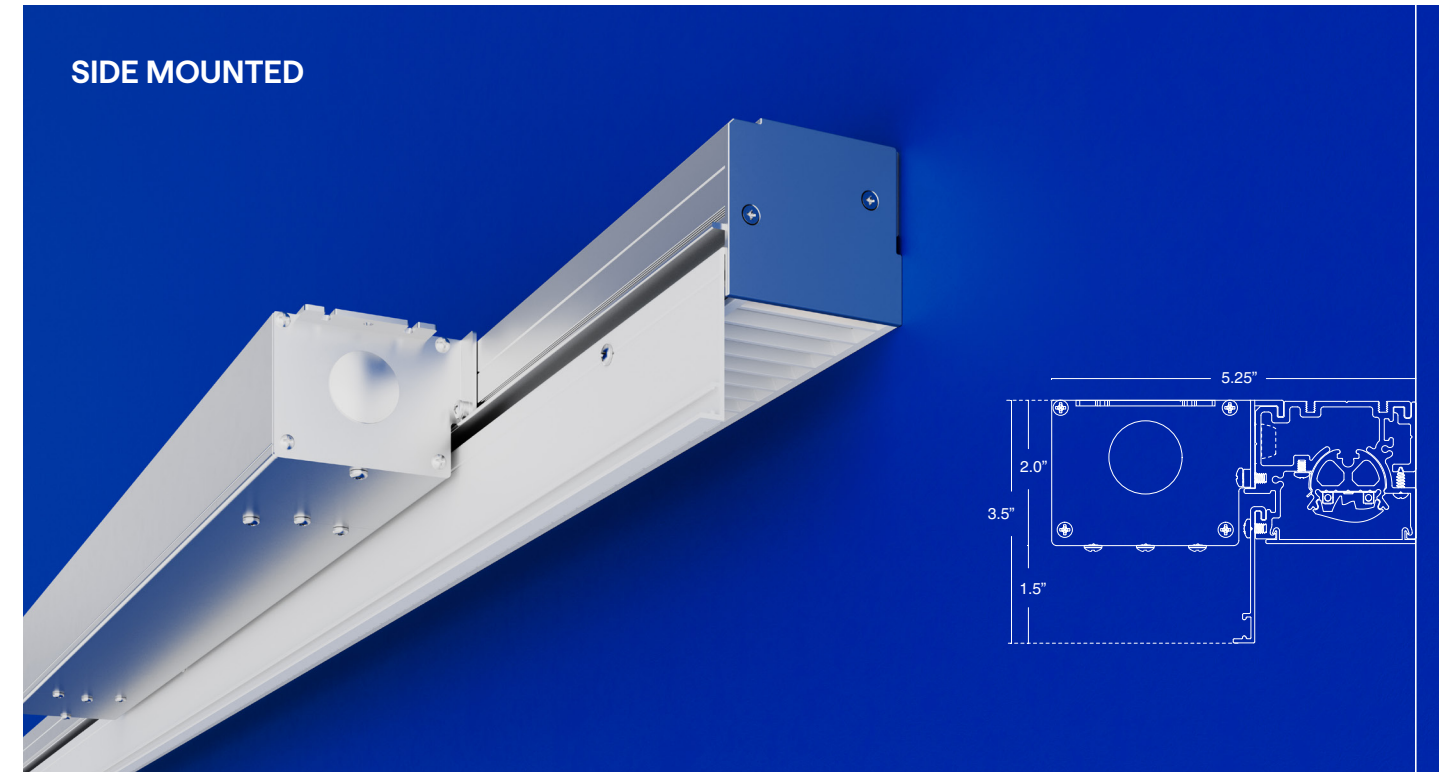


Product shown: PERI with diffused lens in white louver



Product shown: PERI with diffused lens in white louver

## DRIVER



**REMOTE** mounting option available



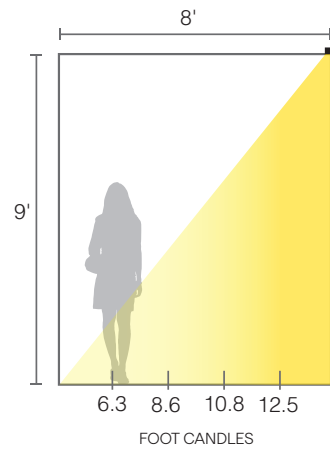


Product shown: PERI with diffused lens in white louver

# PHOTOMETRIC PERFORMANCE

## CORRIDOR 8'

Room Size: 8'x50'



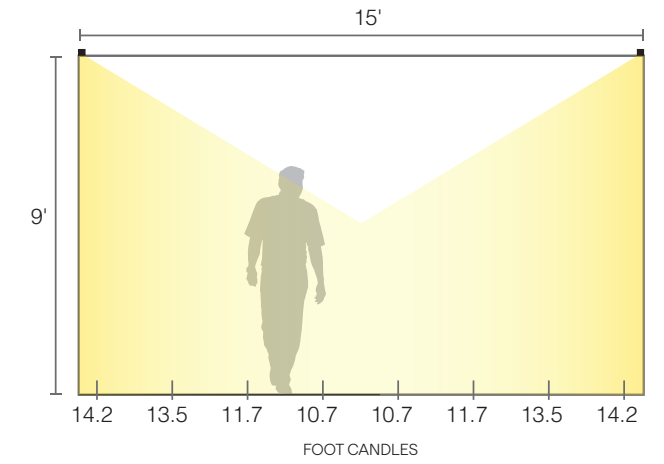
### ASYM

W/FT	AVERAGE ILLUMINANCE (Fc)	MAX	MIN	AVG/MIN	MAX/MIN	LPD (W/SQFT)
3	9.65	12.7	6.3	1.53	2.02	0.38

PERI-SWCC-3.0-30-ASYM-PM-L1-WH-TBAR-1.5

## CORRIDOR 15'

Room Size: 15'x50'



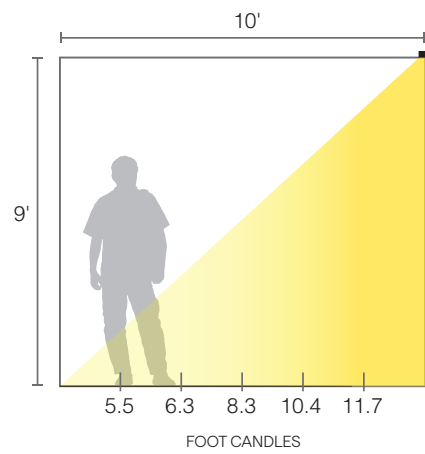
### ASYM

W/FT	AVERAGE ILLUMINANCE (Fc)	MAX	MIN	AVG/MIN	MAX/MIN	LPD (W/SQFT)
3	12.67	14.4	10.8	1.17	1.33	0.40

PERI-SWCC-3.0-30-ASYM-PM-L1-WH-TBAR-1.5

## CORRIDOR 10'

Room Size: 10'x50'



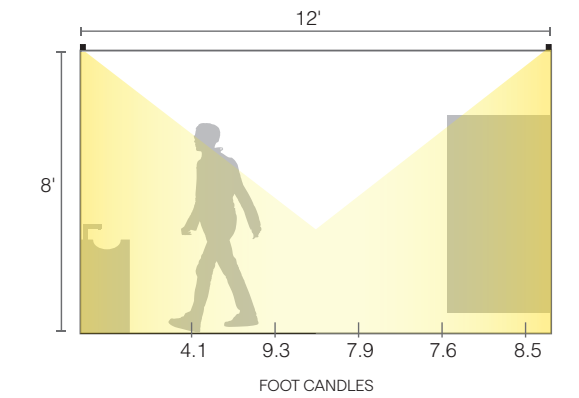
### ASYM

W/FT	AVERAGE ILLUMINANCE (Fc)	MAX	MIN	AVG/MIN	MAX/MIN	LPD (W/SQFT)
3	8.51	11.8	5.5	1.55	2.15	0.30

PERI-SWCC-3.0-30-ASYM-PM-L1-WH-TBAR-1.5

## RESTROOM

Room Size: 12'x20'



### ASYM

W/FT	AVERAGE ILLUMINANCE (Fc)	MAX	MIN	AVG/MIN	MAX/MIN	LPD (W/SQFT)
3	7.05	10.7	3.1	2.27	3.45	0.44

PERI-SWCC-3.0-30-ASYM-PM-L1-WH-TBAR-1.5

